

BASO 4.0 PERIMETER



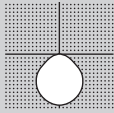
Catalog Number Example

BASO 4.0-RTR-BL-O3-30K-C80-UNV-010V-SEN-955LF-NLC-RS-72IN-CCEA

| | |
|--|---|
| <p>A RANGE</p> <p>BASO 4.0 B A S O 4 . 0</p> | <p>K SENSOR (optional)</p> <p>Integrated Sensor S E N</p> <p>consult customer service for sensor request</p> |
| <p>B SUB CATEGORY</p> <p>Perimeter P M</p> | <p>L OUTPUT LM/FT</p> <p>QS 500 lm/ft 100% ↓ 0 5 0 0 L F</p> <p>QS 750 lm/ft 100% ↓ 0 7 5 0 L F</p> <p>QS 1000 lm/ft 100% ↓ 1 0 0 0 L F</p> <p>Custom lm/ft X X X X L F</p> <p><i>custom lumen up to 1400 lm/ft</i></p> |
| <p>C MOUNTING</p> <p>QS Recessed trimless R T L</p> <p>QS Recessed with trim R T R</p> <p>QS Armstrong Suprafine 9/16" G A 9 G</p> <p>QS Armstrong Interlude 9/16" SG A 9 S</p> <p>QS Armstrong Silhouette 9/16" BSG A 9 S</p> <p>QS Armstrong Prelude 15/16" G A 1 5</p> <p>QS 9/16" Grid (any brand) G R D</p> <p>QS 9/16" Slot Grid (any brand) G R D</p> <p>QS 15/16" Grid (any brand) G R D</p> <p>Custom X X X</p> | <p>M CIRCUIT / EM</p> <p>QS Single circuit *</p> <p>EMC night light circuit N L C</p> <p>EMB available in 4ft and 8ft E M #</p> <p>* leave blank</p> |
| <p>D COLOR</p> <p>QS White W H</p> <p>QS Black B L</p> <p>Gray G R</p> <p>Custom color RAL X X</p> <p><i>trimless version available in white only</i></p> | <p>N SHAPE / PATTERN</p> <p>QS Linear / straight S T</p> <p>QS Linear / straight + flex inset S F</p> <p><i>includes 1ft. field-cutttable section; only available for 4' and 8' segments</i></p> <p>L-shape L S</p> <p>□-shape (rectangular shape) R S</p> <p>U-shape U S</p> <p>Custom shape X X</p> <p><i>for grid applications using L-shape, rectangular shape or U-shape, please contact customer service for availability</i></p> |
| <p>E LENS REGRESSION</p> <p>HP opal cover 2" regressed O 2</p> <p>HP opal cover 3" regressed O 3</p> <p>HP opal cover 4" regressed O 4</p> <p><i>fixture depth is field-adjustable</i></p> | <p>O DIMENSIONS IN INCH</p> <p>Linear 2' 2 4 I N</p> <p>QS Linear 4' 4 8 I N</p> <p>QS Linear 6' 7 2 I N</p> <p>QS Linear 8' 9 6 I N</p> <p>Linear custom # # # I N</p> <p>Linear flex inset # # # I N</p> <p><i>includes 4' to 3' field-cutttable section</i></p> <p>L-Shape # # # X # # # I N</p> <p>U-Shape # # # X # # # X # # # I N</p> <p>□-Shape # # # X # # # I N</p> <p><i>for lengths including flex insets, round up to the nearest total foot length</i></p> |
| <p>F END CAP DETAIL</p> <p>Trim endcap (RTR only) T R</p> <p>Trimless endcap - wall to wall T L</p> <p>Invisible endcap - wall to wall I N</p> | <p>P CERTIFICATION (optional)</p> <p>Chicago Plenum C C E A</p> <p>Red List Approved R L A</p> |
| <p>G CCT</p> <p>2700K 2 7 K</p> <p>QS 3000K 3 0 K</p> <p>QS 3500K 3 5 K</p> <p>4000K 4 0 K</p> | <p>I VOLTAGE</p> <p>120V / 277V U N V</p> |
| <p>H CRI</p> <p>CRI > 80 C 8 0</p> <p>CRI > 90 C 9 0</p> | <p>J DIMMING</p> <p>QS 0-10V 1% 0 1 0 V</p> <p>Lutron EcoSystem L E S 1</p> <p>Quantum, Vive, GRAFIK Eye, HomeWorks</p> <p>Power over ethernet P O E C</p> <p>consult customer service for compatibility</p> <p>Custom dimming X X X X</p> <p>consult customer service for compatibility</p> |

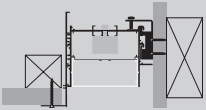
PERFORMANCE

- Up to 111lm/W efficiency
- 500 / 955lm/ft
- CRI > 80 & CRI > 90
- IC & Damp rated



MOUNTING

Perimeter



PATTERNS



Angular



Rectangular

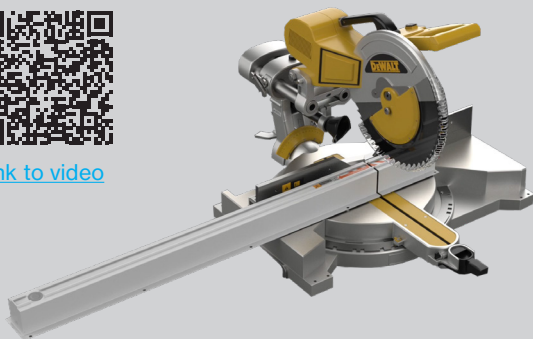
For customization, please contact customer service

FIELD-CUTTABLE FLEX

Down to 1/16"

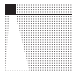



[link to video](#)



BASO
basolighting.com
xalusa.com

Technical data

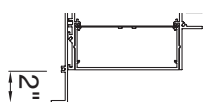
| | SIZE TYPE | LED COLOR TEMPERATURE | INPUT WATTS | DELIVERED LM TOTAL | LIGHT DISTRIBUTION | DELIVERED LM DIRECT | DELIVERED LM INDIRECT | OPTICAL EFFICIENCY | LUMINAIRE EFFICACY | |
|---|-----------|-----------------------|----------------|--------------------|--------------------|---------------------|-----------------------|--------------------|--------------------|---------|
| BASO DIRECT | | | | | | | | | | |
|  | e LED | 40K | 2' linear | 9W | 1000lm | 100% down | 500lm/ft | - | 74% | 111lm/W |
| | | | 4' linear | 18W | 2000lm | | | | | |
| | | | 6' linear | 27W | 3000lm | | | | | |
| | | | 8' linear | 36W | 4000lm | | | | | |
| | | | 2' + 2' corner | 18W | 2000lm | | | | | |
|  | e² LED | 40K | 2' linear | 18W | 1900lm | 100% down | 955lm/ft | - | 74% | 106lm/W |
| | | | 4' linear | 36W | 3800lm | | | | | |
| | | | 6' linear | 54W | 5700lm | | | | | |
| | | | 8' linear | 72W | 7600lm | | | | | |
| | | | 2' + 2' corner | 36W | 3800lm | | | | | |

for 30K or 35K multiply lm value by 0.96

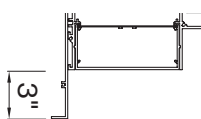
Perimeter depth

field adjustable

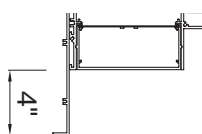
2" REGRESSED



3" REGRESSED

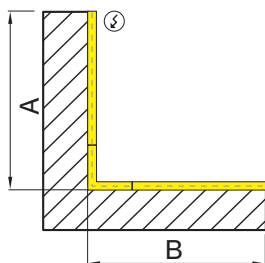


4" REGRESSED

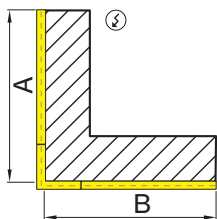


Patterns top view

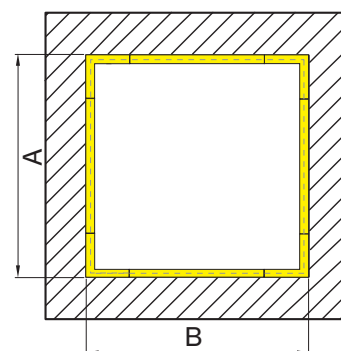
L-SHAPE inside corner



L-SHAPE outside corner

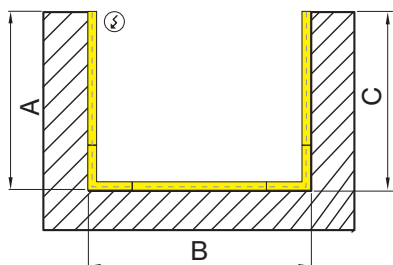


□-SHAPE inside corner

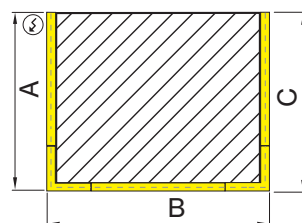


| A / B | FIXTURES | CODE |
|-----------|--|---------------|
| 48" / 48" | 2 × 2' linear + 1 × 2' × 2' corner | 0 4 X 0 4 F T |
| 48" / 96" | 1 × 2' linear + 1 × 6' linear + 1 × 2' × 2' corner | 0 4 X 0 8 F T |
| 96" / 96" | 2 × 6' linear + 1 × 2' × 2' corner | 0 8 X 0 8 F T |

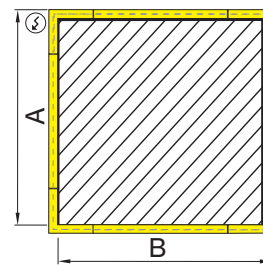
U-SHAPE inside corner



U-SHAPE outside corner



□-SHAPE outside corner

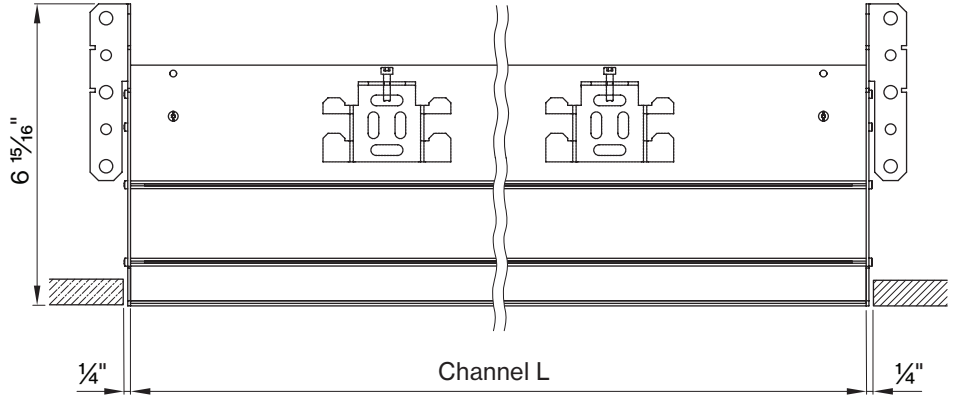
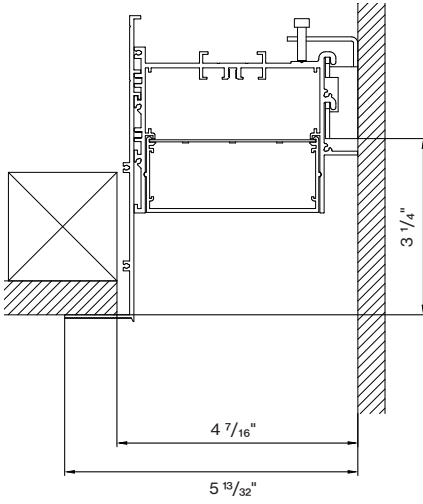


| A / B / C | FIXTURES | CODE | A / B | FIXTURES | CODE |
|------------------|--|---------------------|-----------|------------------------------------|---------------|
| 48" / 48" / 48" | 2 × 2' linear + 2 × 2' × 2' corner | 0 4 X 0 4 X 0 4 F T | 48" / 48" | 4 × 2' × 2' corner | 0 4 X 0 4 F T |
| 48" / 96" / 48" | 1 × 4' linear + 2 × 2' linear + 2 × 2' × 2' corner | 0 4 X 0 8 X 0 4 F T | 48" / 96" | 2 × 4' linear + 4 × 2' × 2' corner | 0 4 X 0 8 F T |
| 48" / 144" / 48" | 1 × 8' linear + 2 × 2' linear + 2 × 2' × 2' corner | 0 4 X 1 2 X 0 4 F T | 96" / 96" | 4 × 4' linear + 4 × 2' × 2' corner | 0 8 X 0 8 F T |

DIMENSIONS

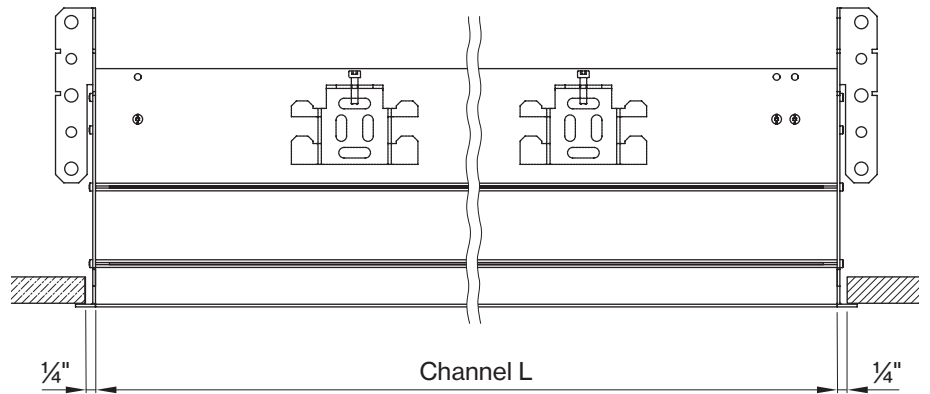
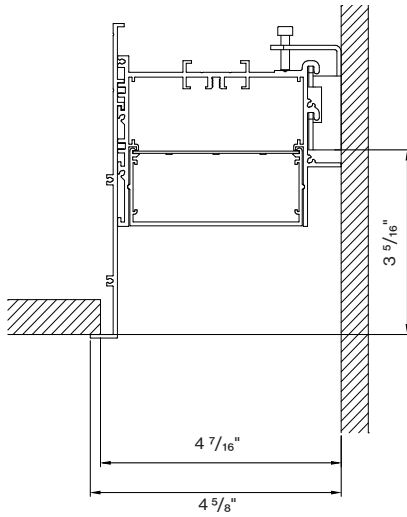
BASO 4.0 PERIMETER

trimless flush



please see BASO 4.0 PERIMETER mounting instructions for 3" and 4" regressed dimensions

with trim flush



please see BASO 4.0 PERIMETER mounting instructions for 3" and 4" regressed dimensions

Declare.

BASO 1.5 2.5 4.0
XAL USA Incorporated

Final Assembly: Collins, Connecticut, USA
 LBN (Declare's brand)
 End of Life Options: Recyclable (70%), Landfill (30%)

Ingredients:
 Aluminum, 2-Propenoic acid, 2-methyl-, methyl ester, polymer with ethyl 2-oxoimidazole, steel, manufacture, chemical, copper chloride (CuCl₂), polyvinyl chloride (unmodified), polyethylene terephthalate (PET), polyethylene glycol (PEG), polypropylene (PP), polybutylene terephthalate (PBT), polyethylene glycol (PEG), copper, iron, tin, organic silicate, zinc

1. LBC Temp Exception RE-002 - Small Electrical Components

Living Building Challenge Criteria:

H1 Red List:
 LBC Red List Free: 1. Disposed 100% at 100ppm
 LBC Red List Approved: VOC Content: Not Applicable
 Recycled:

H10 Interior Performance: Not Applicable
 H14 Responsible Sourcing: Not Applicable

XAL-0002
 8/31/2018 (Rev. 2024)
 Original Issue Date: 2023

INTERNATIONAL LIVING BUILDING CHALLENGE - <http://www.livingbuildingchallenge.com>

BASO mounting instructions

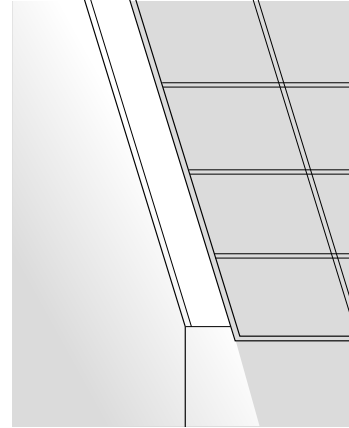
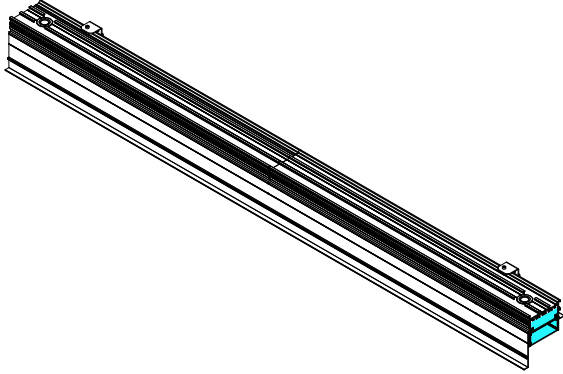
Get access to the BASO 4.0 mounting instructions faster by scanning the QR code.

www.xalusa.com/resources/mounting-instructions/baso

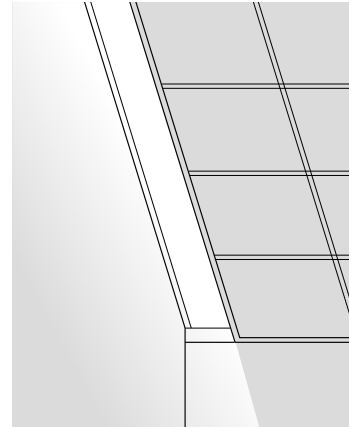
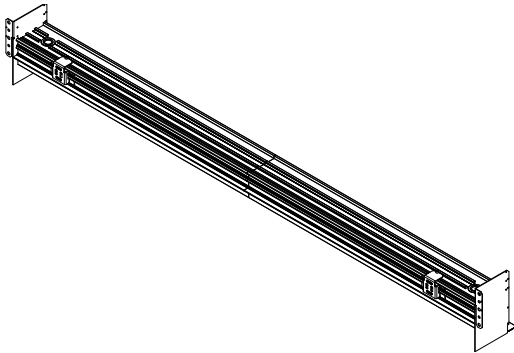


BASO 4.0 PERIMETER

Invisible endcap



Trimless endcap (RTR only)



Trim endcap (RTR only)

